



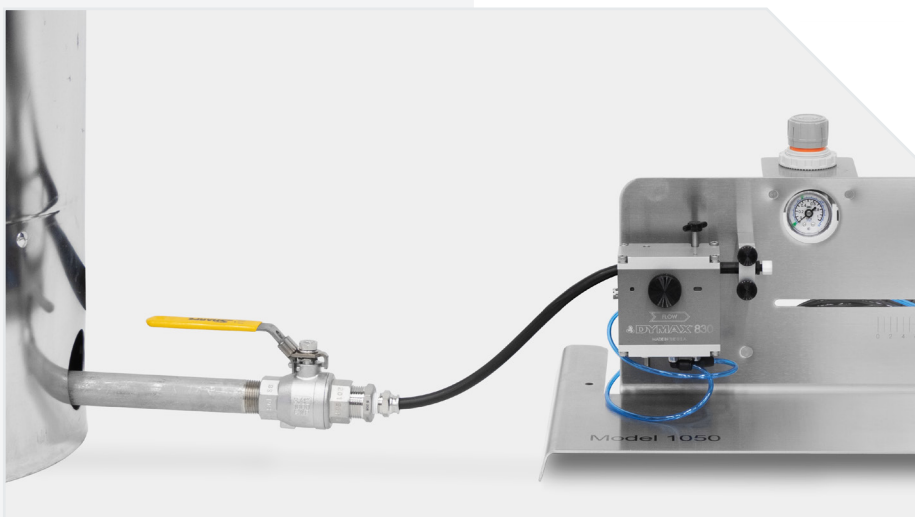
Features and Benefits

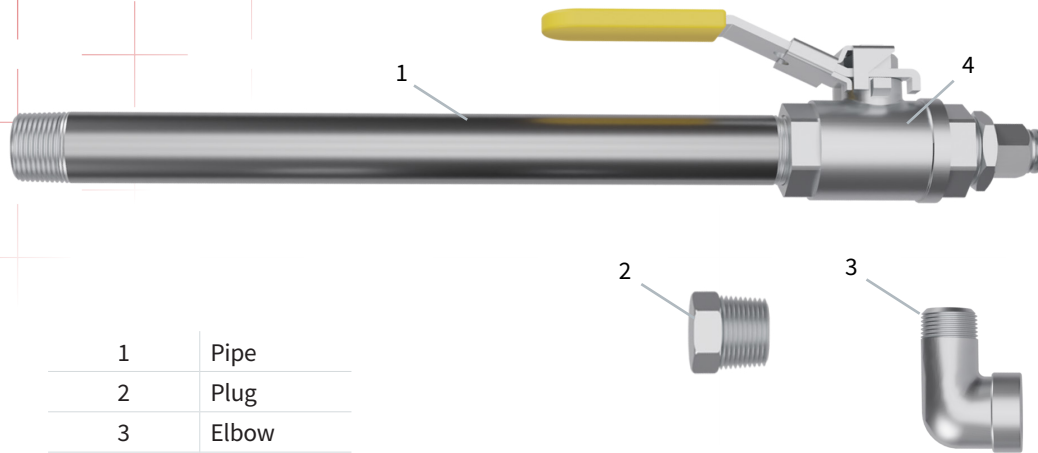
- + Lower air pressure required to dispense material
- + Less frequent refilling of reservoir
- + Shorter fluid line
- + Vacuum can be applied to remove air from material prior to dispensing
- + Helps dispense higher viscosity materials than standard 'through the cover' process
- + Optional liner/follower plate helps minimize tunneling/cavitation of high viscosity materials

Pressure Tank Bottom-Feed Modification Kit

A modified bottom-feeding pressure tank increases the range of fluid viscosities that can be dispensed from a 10-gallon tank* to our Tridak Model 1001, 1050, 1060 & 1200 filling systems. It is ideal for processes using medium through gel viscosity materials, and where larger volumes of material (batch sizes) need to be dispensed.

**10-gallon is the most common tank size used. Also compatible with other reservoir sizes.*





1	Pipe
2	Plug
3	Elbow
4	Ball Valve

SPECIFICATIONS	
Part Number	T18770 Pressure Tank Bottom-feed Plumbing Kit
Reservoir Size	T17859 5 Gallon, Bottle Drop-In Reservoir T16864 10 Gallon, Pail Drop-In Reservoir T17880 15 Gallon, Pail Drop-In Reservoir
Dimensions (W x H x L)	2" x 3" x 18"
Associated Parts	T16671 Liner, Tank 10 Gallon, Pink 62064 PTFE Grommet T18346 HD Follower Plate 13.5" T18700 Model 1050 50 ft. DIY Fluid Path Kit T20045 4-port Manifold Kit 43373 Polyethylene Tubing (Clear), 3/8" OD, 1/4" ID (25' roll) T15878-10 Polyethylene Tubing (Black), 3/8" OD, 1/4" ID (10') T15878-50 Polyethylene Tubing (Black), 3/8" OD, 1/4" ID (10') T15878-100 Polyethylene Tubing (Black), 3/8" OD, 1/4" ID (10')

Tridak LLC | 860.626.6700 | info@tridak.com

© 2022 Tridak LLC. All rights reserved. All trademarks in this guide, except where noted, are the property of, or used under license by Tridak LLC.

Please note that most filling system applications are unique. Tridak does not warrant the fitness of the product for the intended application. Any warranty applicable to the product, its application and use is strictly limited to that contained in Tridak's standard Conditions of Sale published on our website. Tridak recommends that any intended application be evaluated and tested by the user to ensure that desired performance criteria are satisfied. Tridak is willing to assist users in their performance testing and evaluation. Data sheets are available for pressure pots upon request.

TPB008 11/21/2022

tridak[®]
www.tridak.com